

# VFD-EL

Delta Electronics

(VFD-L VFD-S), VFD-EL



1. -
2. -
3. -
4. -
5. -
6. - B.
7. RS-485 (Modbus).
8. Profibus, DeviceNet, LonWork CANopen
9. PU06 VFD PC.

!

VFD-EL!

		<b>115V</b>		
VFD-XXXEL		002	004	007
.	( )	0.2	0.4	0.75
.	( . . )	0.25	0.5	1.0
.	( )	0.6	1.0	1.6
	(A)	1.6	2.5	4.2
	( )	3- , 0		
	( )	0.1~600		
	( )	1-12		
.	(A)	1-		
	/	6	9	18
	.	1- , 100-120 , 50/60		
	.	± 10%(90~132 )		
	.	± 5%(47~63 )		
( )		1.2	1.2	1.2

		<b>230V</b>					
VFD-XXXEL		002	004	007	015	022	037
.	( )	0.2	0.4	0.75	1.5	2.2	3.7
.	( . . )	0.25	0.5	1.0	2.0	3.0	5.0
.	( )	0.6	1.0	1.6	2.9	4.2	6.5
	(A)	1.6	2.5	4.2	7.5	11.0	17
	( )	3- , 0					
	( )	0.1~600					
	( )	1-12					
.	(A)	1- /3-					3-
	/	4.9/1.9	6.5/2.7	9.5/5.1	15.7/9	24/15	20.6
	.	1- /3- , 200-240 , 50/60					3- , 200-240 , 50/60
	.	± 10%(180~264 )					
	.	± 5%(47~63 )					
( )		1.1	1.1	1.1	1.9	1.9	1.9

!

VFD-EL!

		460V				
VFD-XXXE		004	007	015	022	037
.	( )	0.4	0.75	1.5	2.2	3.7
.	( . . )	0.5	1.0	2.0	3.0	5.0
	( )	1.2	2.0	3.3	4.4	6.8
	(A)	1.5	2.5	4.2	5.5	8.2
	( )	3- , 0				
	( )	0.1~600				
	( )	1-12				
	(A)	3-				
	.	1.9	3.2	4.3	7.1	11.2
	.	3- , 380-480 , 50/60				
	.	±10%(342~528 )				
	.	±5%(47~63 )				
( )		1.2	1.2	1.2	1.9	1.9

		SPWM ( ) ; V/f	
		0.01	
		0.01	
		: 150% 5.0 ;	
		150% 1 .	
		0.1~600	
/		0.1-600 ( 2 )	
		20 250%	
		: 0.1~600.0 , : 0~100% : 0~60 , 0~60	
		20% ( 125%	
/	- (V/f)		
		▲ ▼	
		-5 /0.5 , 0 ... +10VDC, 4 ... 20mA, RS-485; 3 - 9 (15) , Jog, up/down)	
		RUN STOP	
		2 . /3 . (FWD, REV, EF), JOG ( , ) , RS-485 (MODBUS)	
		0 - 15, Jog, . / , / . 2, (NC, NO), , ACI/AVI/AUI, , , . / (UP/DOWN), NPN/PNP	
		(NC/NO)	

!

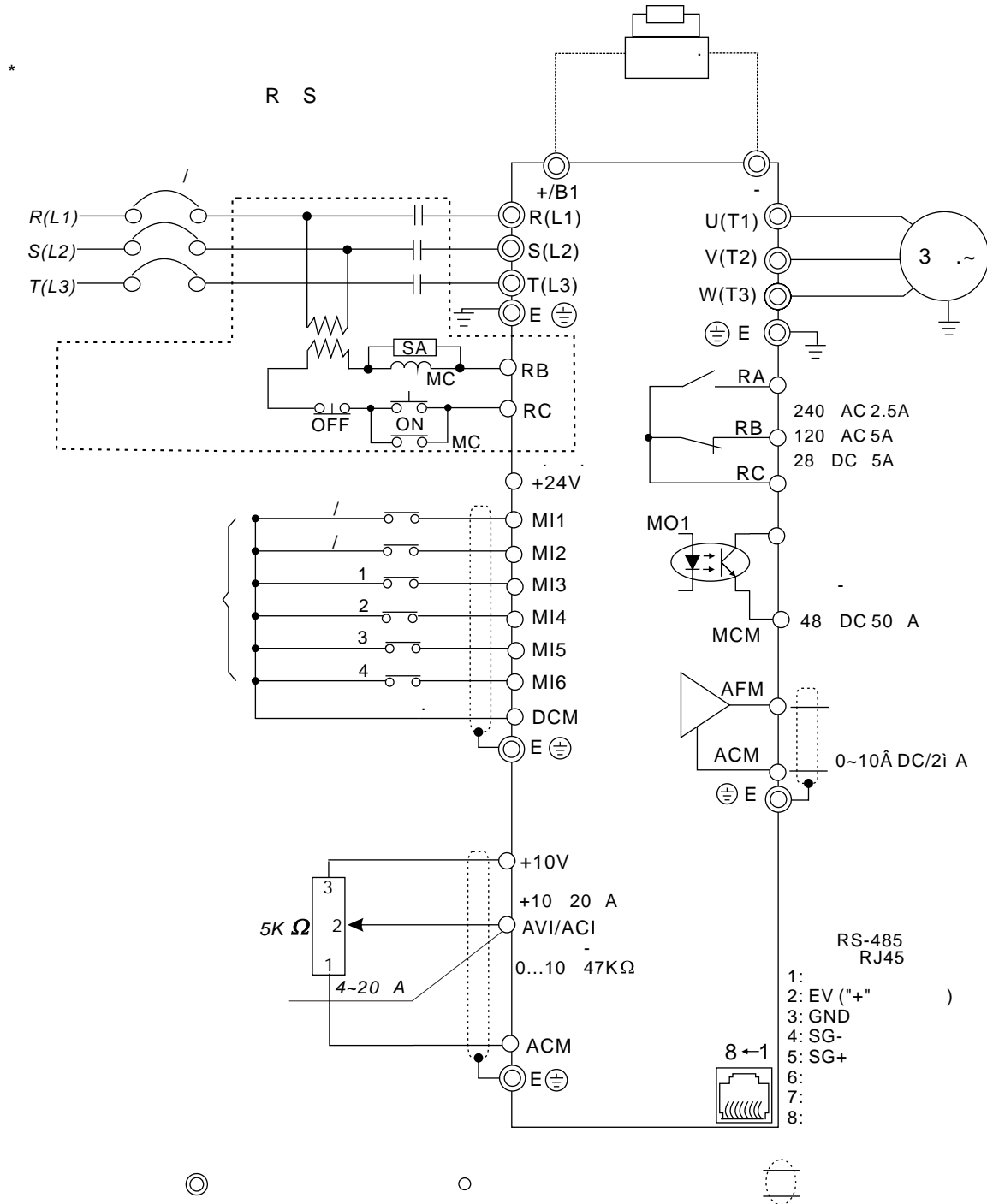
VFD-EL!

		(1 )
	AVR, S-	5 ,
		, MODBUS,
		, NPN/PNP
		(PTC)
	6- , 4	, 7- 4- LED-
		, RUN, STOP, RESET, FWD/REV, JOG
		IP20
		2
		1000 ,
		-10°C ... + 50°C (40°C )
	/	-20°C ... 60°C
		90% RH ( )
		9.80665 / <sup>2</sup> (1G) 20 , 5.88 / <sup>2</sup> (0.6G) 20 50

※



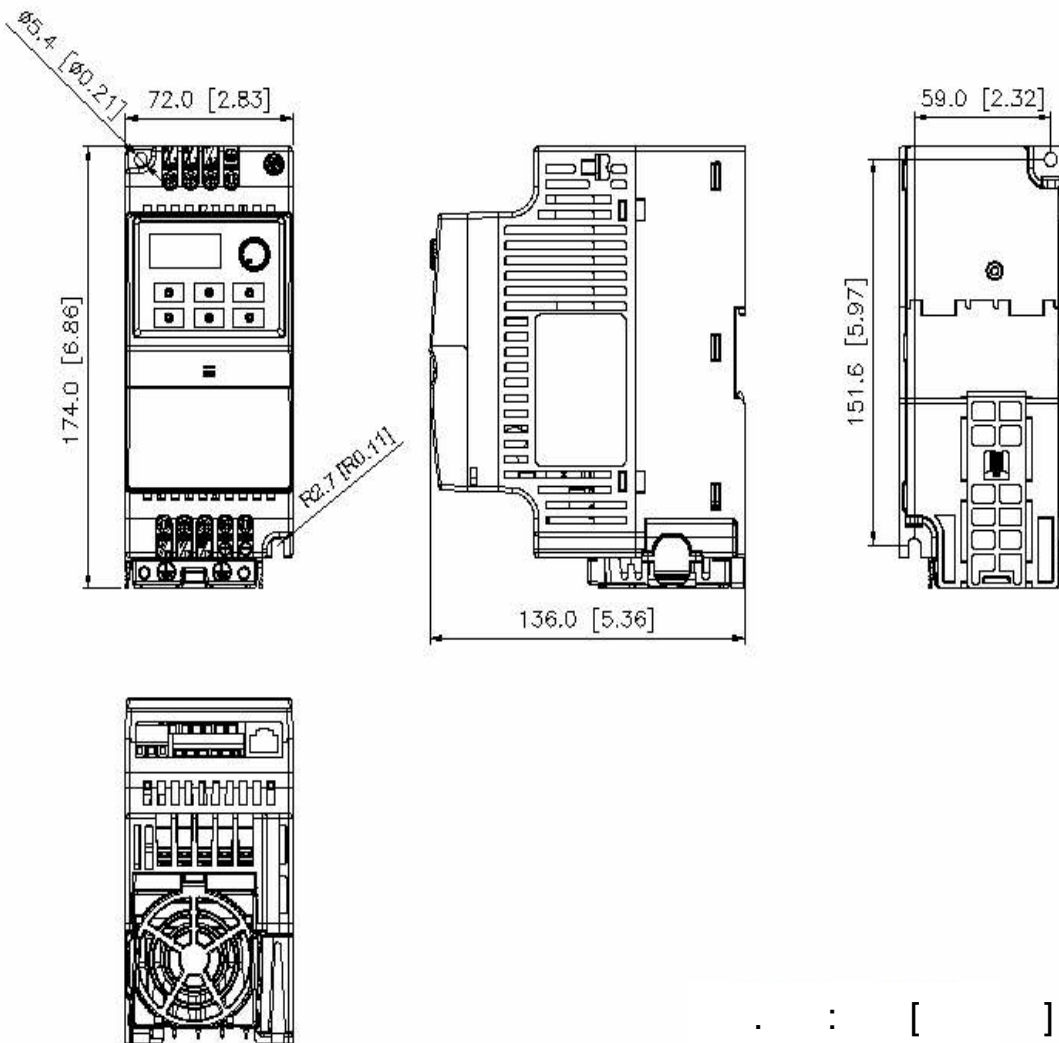
: VFD002EL11A/21A/23A, VFD004EL11A/21A/23A/43A,  
 VFD007EL21A/23A/43A, VFD015EL23A/43A, VFD007EL11A, VFD015EL21A,  
 VFD022EL21A/23A/43A, VFD037EL23A/43A



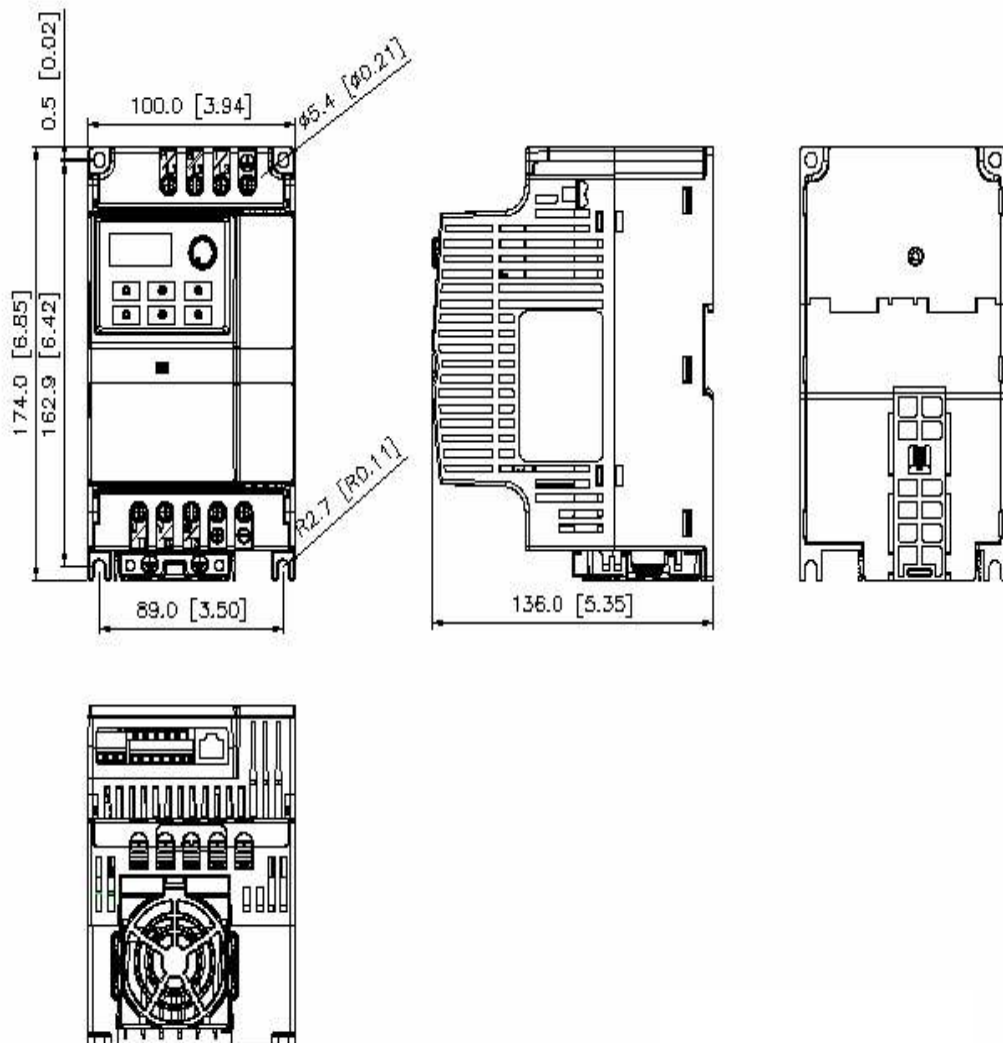
VFD 007 EL 43 A  
 ①      ②      ③      ④      ⑤

①	-	(Variable Frequency Drive)
②		002: 0.2 004: 0.4 007: 0.75 015: 1.5 022: 2.2 037: 3.7
③		EL
④		11 : 115 / 1 .  21 : 230 / 1 .  23 : 230 / 3 .  43 : 460 / 3 .
⑤		A :

: A: VFD002EL11A/21A/23A, VFD004EL11A/21A/23A/43A, VFD007EL21A/23A/43A, VFD015EL23A/43A



B: VFD007EL11A, VFD015EL21A, VFD022EL21A/23A/43A, VFD037EL23A/43A



. : [ ]





---

!

VFD-EL!

---

---

VFD-EL
--------

2007,
-------